



OCS10M+U9A+B3

Retro-reflective sensor

OCS10M+U9A+B3

with terminal compartment or 4-pin, M12 connector

CE



- ◆ Detection range up to 10 m
- ◆ Light/dark ON parameterisable
- ◆ AS-Interface certificate
- ◆ Visible red light
- ◆ Glare protected with polarisation filter
- ◆ Protected against mutual interference
- ◆ Pre-fault indication (dynamic, static)
- ◆ Position of the sensor head adjustable
- ◆ Protection degree IP67
- ◆ Scratch resistant mineral glass lens

Release date: 2007-06-18 14:23 Date of issue: 2007-06-18 038087_ENG.xml

General specifications

Effective detection range	0 ... 10000 mm
Light source	LED
Approvals	CE
Reference target	reflector C110_2
Light type	red, modulated light
Filter	Polarisation filter
Ambient light limit	≤ 10000 Lux sun light ≤ 7500 Lux halogen light

Indicators/operating means

Operating display	LED green
Function display	LED yellow: switching state LED red: stability control (flashing)

Electrical specifications

Operating voltage	via AS-Interface network
No-load supply current I_0	≤ 40 mA
Time delay before availability t_v	20 ms

Output

Output of the pre-fault indication	data bit D1 (not at 1.5 kHz)
Switching type	light/dark switching
Signal output	AS-Interface
Switching frequency f	≤ 1.5 kHz / 200 Hz parameterisable with ULTRA 2001
Switch-on delay t_{on}	2.5 ms by 200 kHz 0.3 ms at 1.5 kHz
Timer function	pulse extension 20 ms, configurable

Standard conformity

Standards	EN 60947-5-2
-----------	--------------

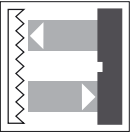
Ambient conditions

Ambient temperature	-25 ... 70 °C (248 ... 343 K)
Storage temperature	-40 ... 80 °C (233 ... 353 K)

Mechanical specifications

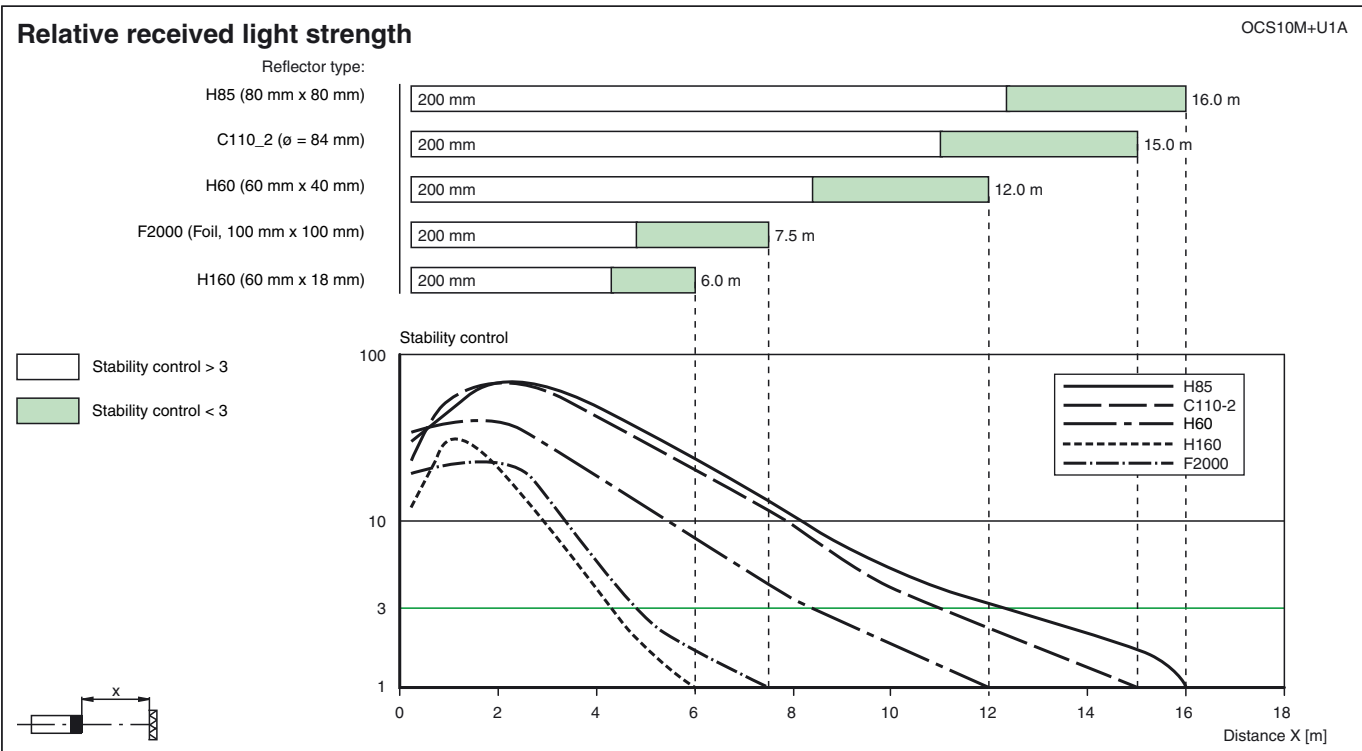
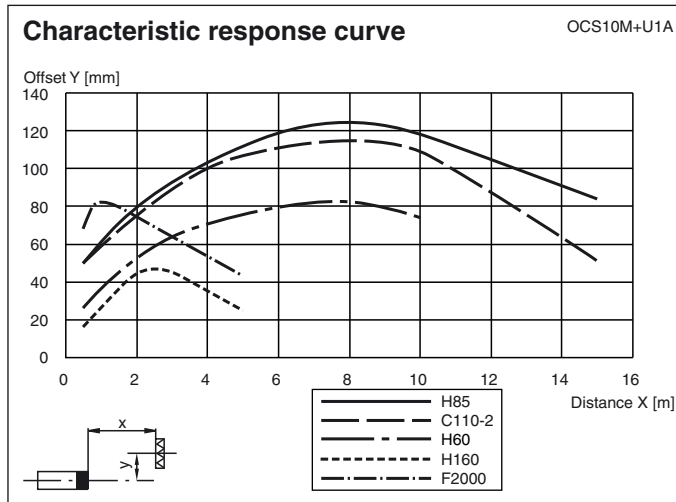
Protection degree	IP67
Connection	cable piercing technique, AS-i flat cable
Material	
Housing	PBT
Optical face	Scratch resistant mineral glass lens
Mass	200 g

Release date: 2007-06-18 14:23 Date of issue: 2007-06-18 038087_ENG.xml



OCS10M+U9A+B3

Curves/Diagrams



Programming

Address preset to 00, can be changed via Busmaster or programming device
 IO-Code 1
 ID-Code 1

• Data bit

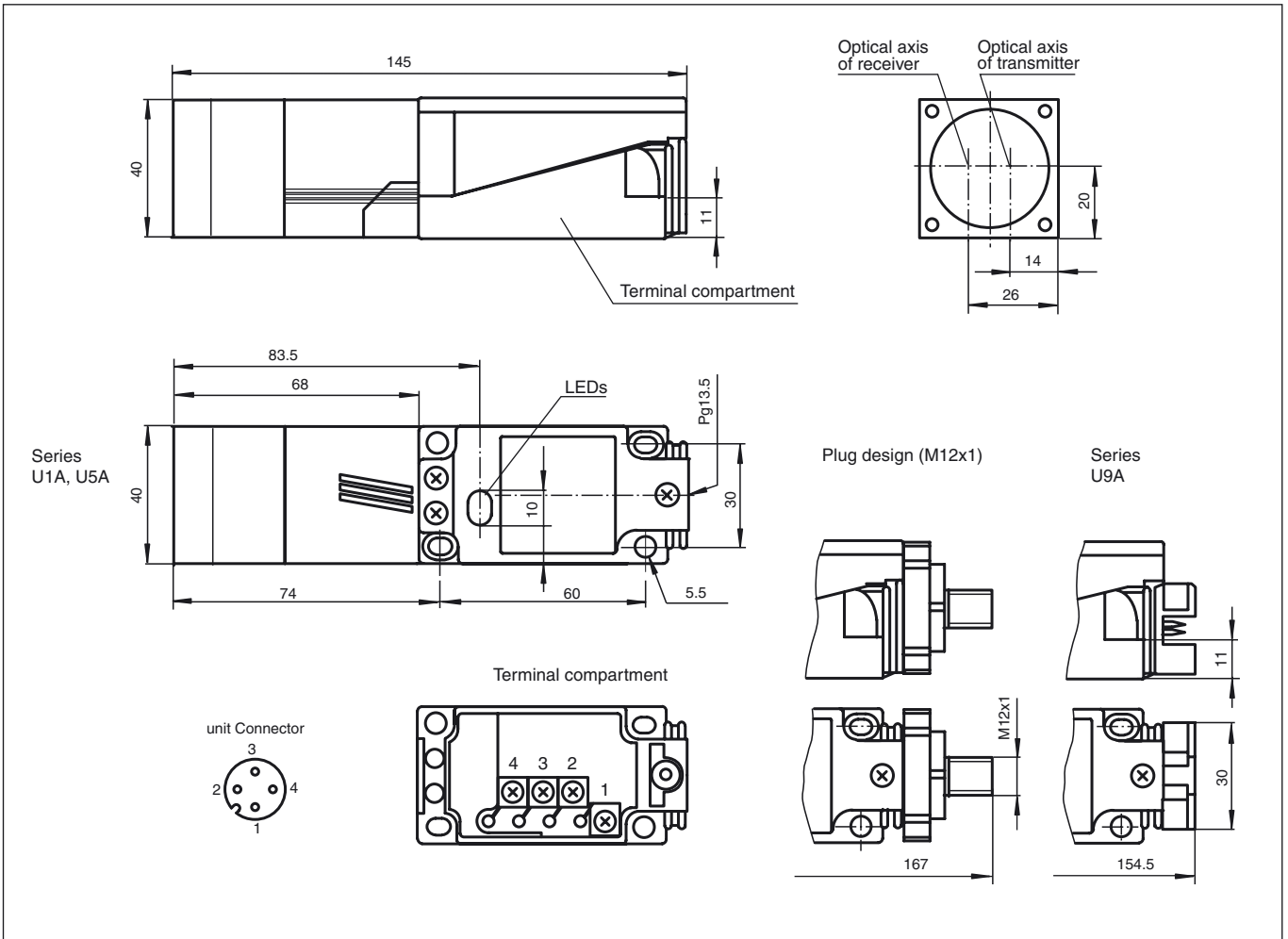
Bit	Function
D0	Switch status
D1	Pre-fault (0=ON; 1=OFF)
D2	Ready for operation
D3	Switch frequency 200 Hz* /1.5 kHz ³⁾

• Parameter bit

Bit	Function(1/0)
P0	Pulse frequency 1*/2
P1	Light*/dark ON
P2	Pulse extension Off*/On
P3	Pre-fault indicator ³⁾ static*/dynamic

* Standard setting³⁾ No activation of pre-fault signal at 1,5 kHz.

Dimensions



Electrical connection



Release date: 2007-06-18 14:23 Date of issue: 2007-06-18 038087_ENG.xml

○ = light on, ● = dark on